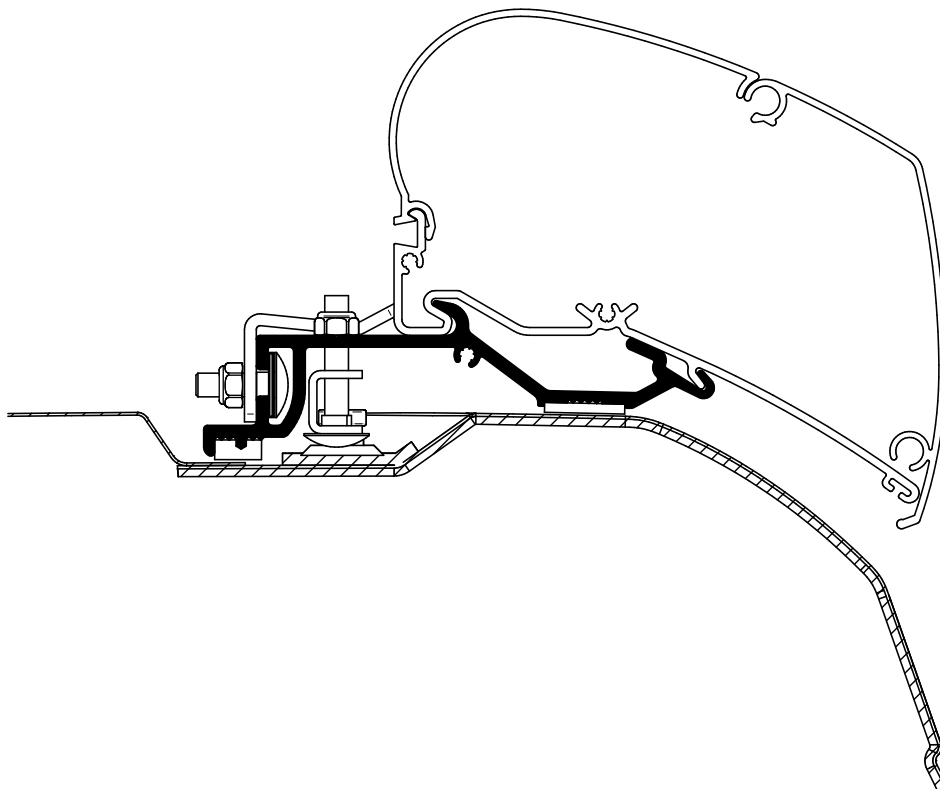
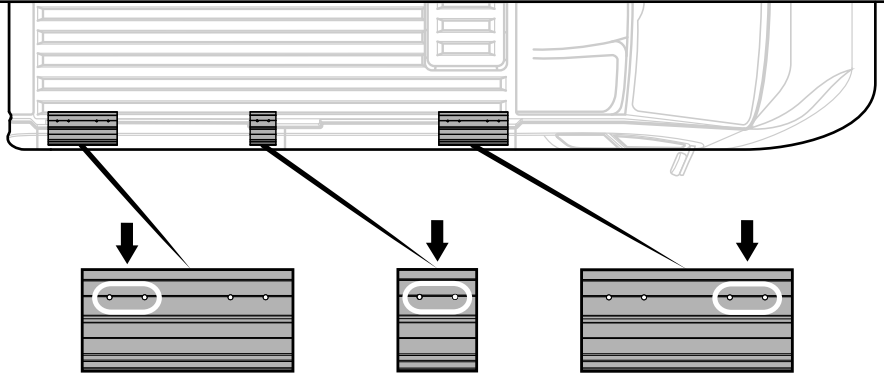
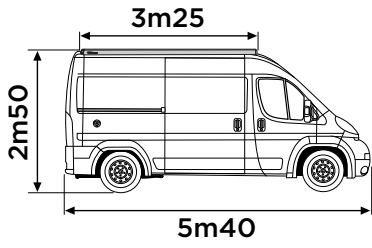


**Adapter roof
Ducato/Jumper/Boxer >2007**

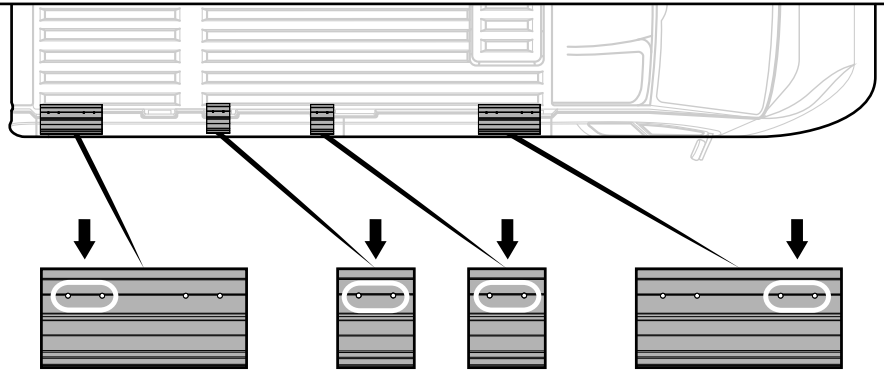
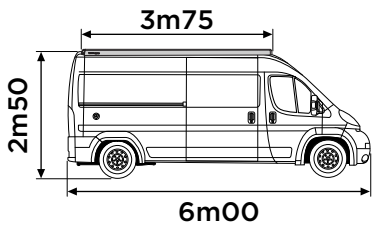
➤ Instructions



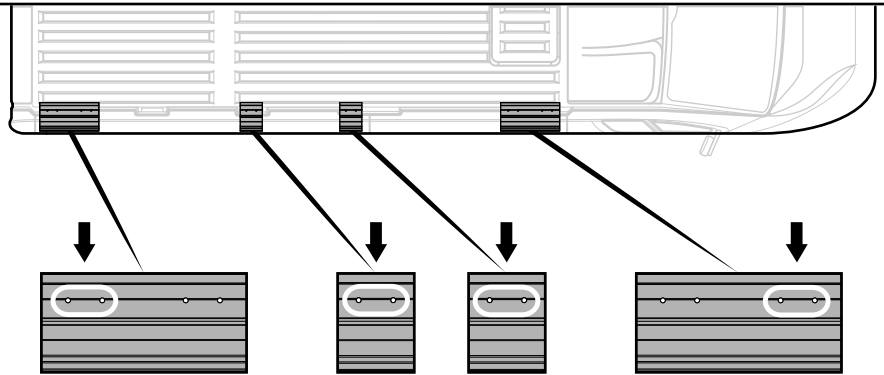
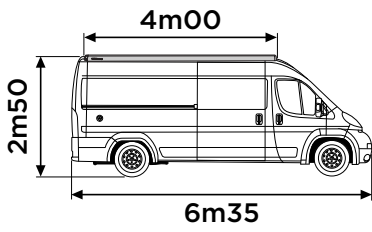
L2H2



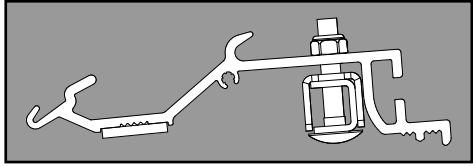
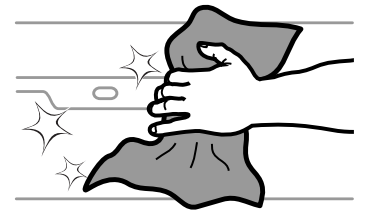
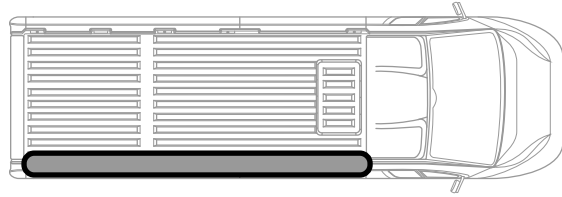
L3H2



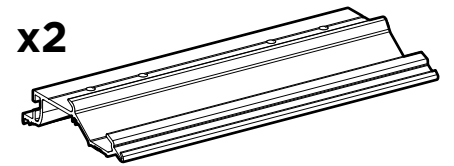
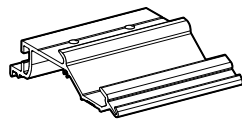
L4H2



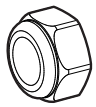
1



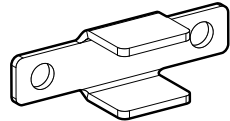
L2H2	x1
L3H2 L4H2	x2



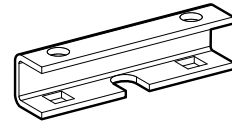
L2H2	x6
L3H2 L4H2	x8



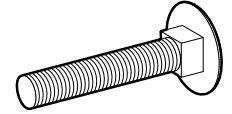
L2H2	x3
L3H2 L4H2	x4



L2H2	x3
L3H2 L4H2	x4

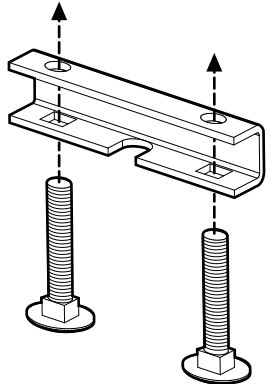


L2H2	x6
L3H2 L4H2	x8

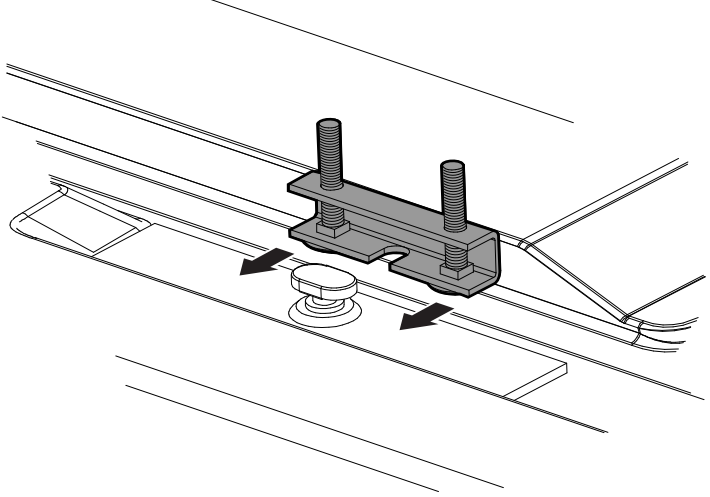


2

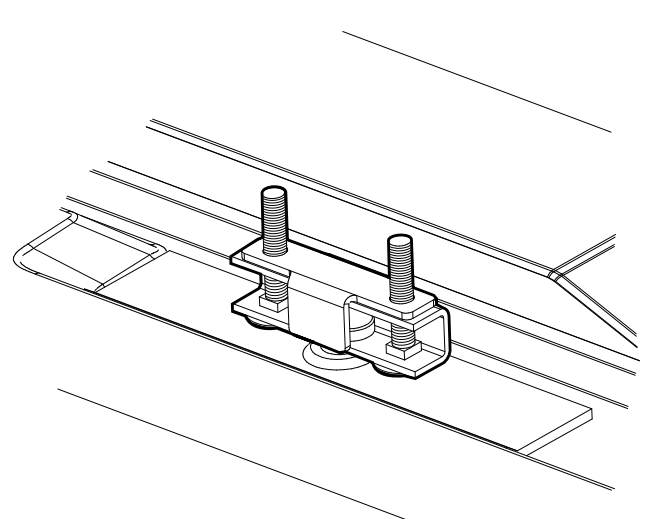
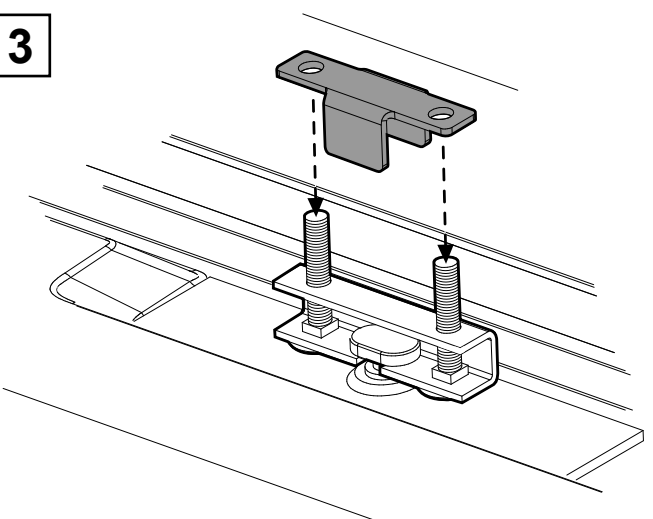
A

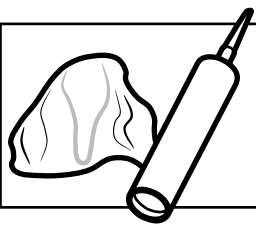


B



3





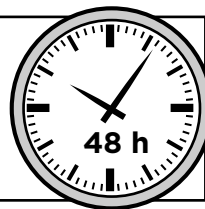
Glue / Lijmen / Verklebung:

Thule recommends / beveelt aan / empfiehlt: **SIKA 252 or Terostat MS937**

Primern und Abdichtung nach Anweisung des Dichtmittelherstellers.

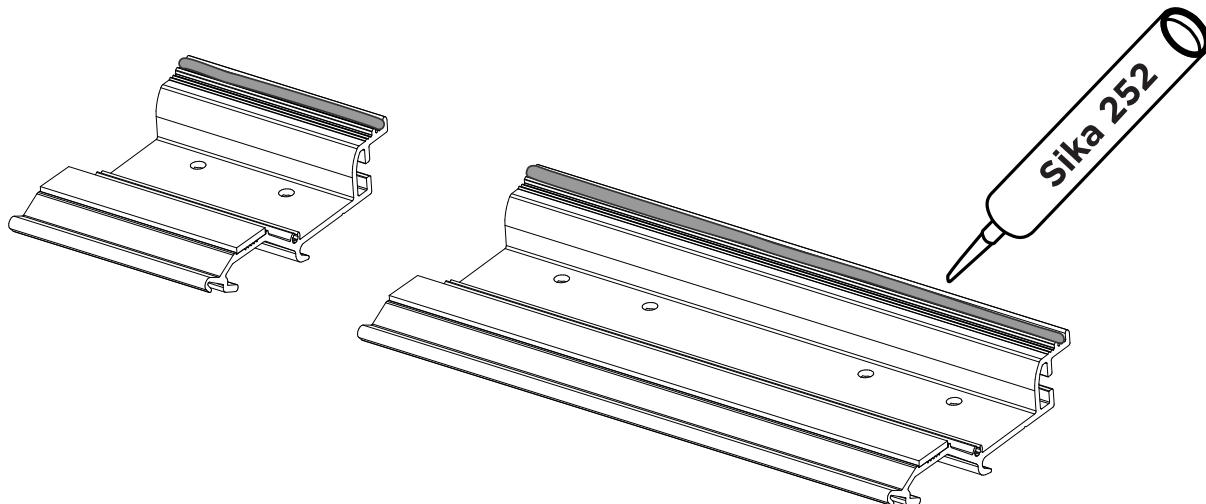
Voorbehandeling en afdichting volgens de voorschriften van de lijmfabrikant.

Preparation and sealing according to the prescripts of the glue supplier.

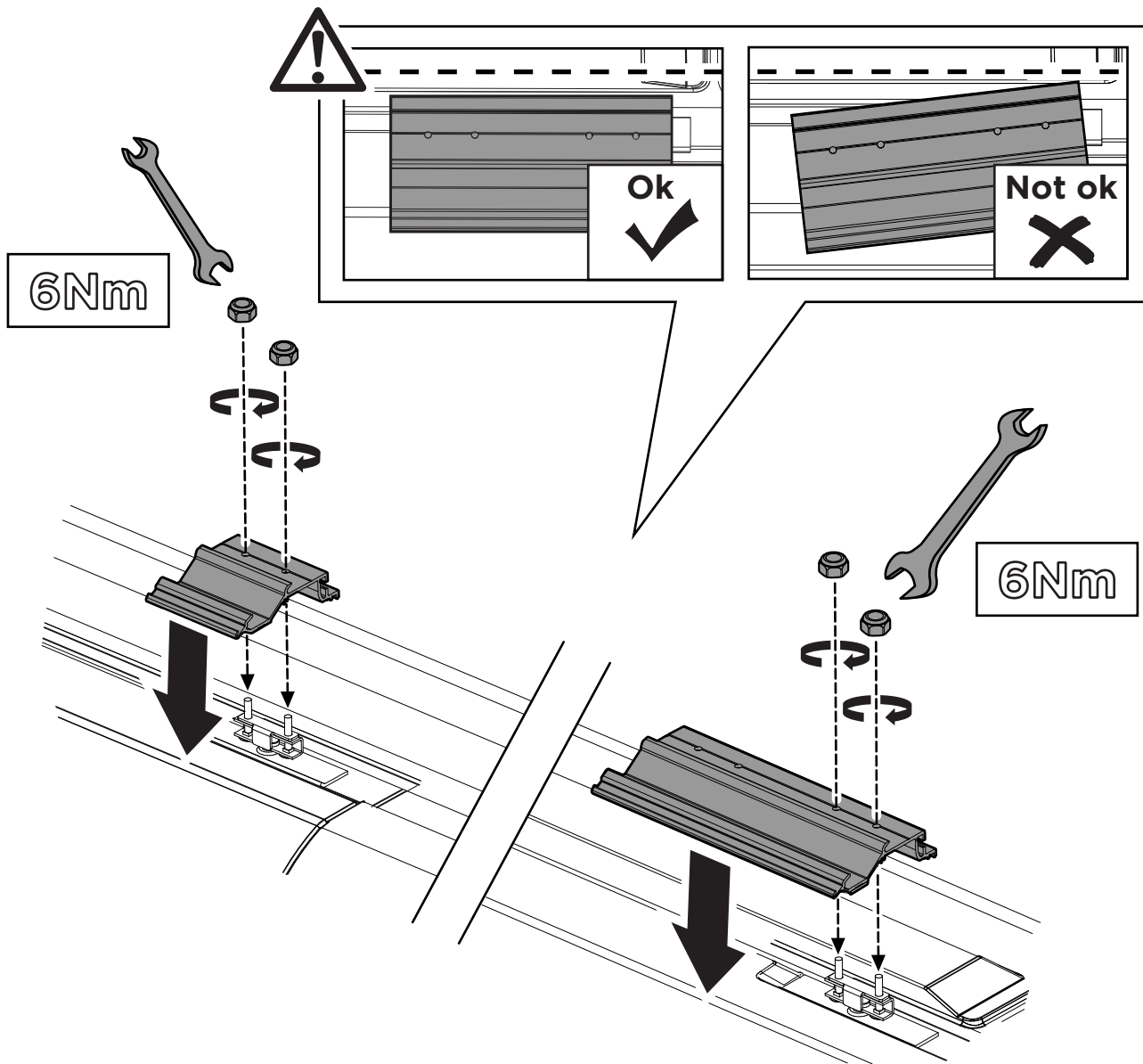


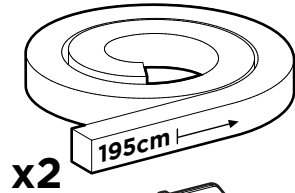
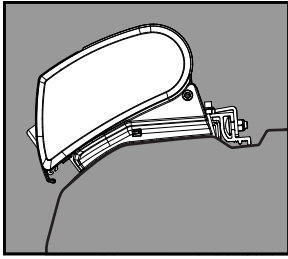
4

A

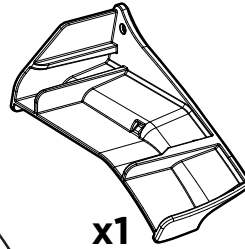


B

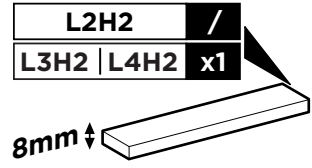




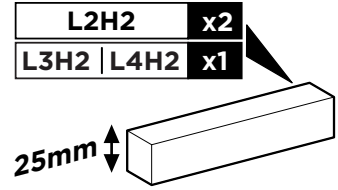
x2



x1

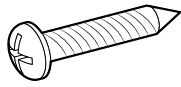


8mm ↑



25mm ↑↓

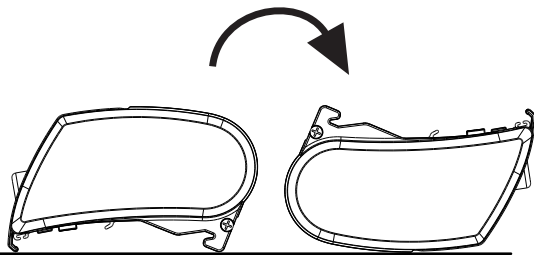
x2 4.2 x 25
DIN 7504



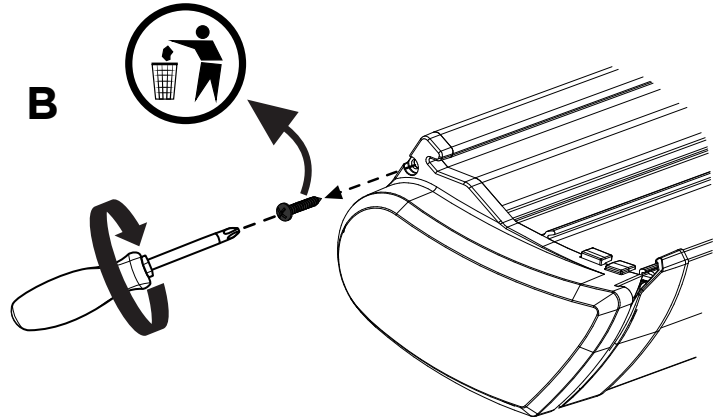
x1

1

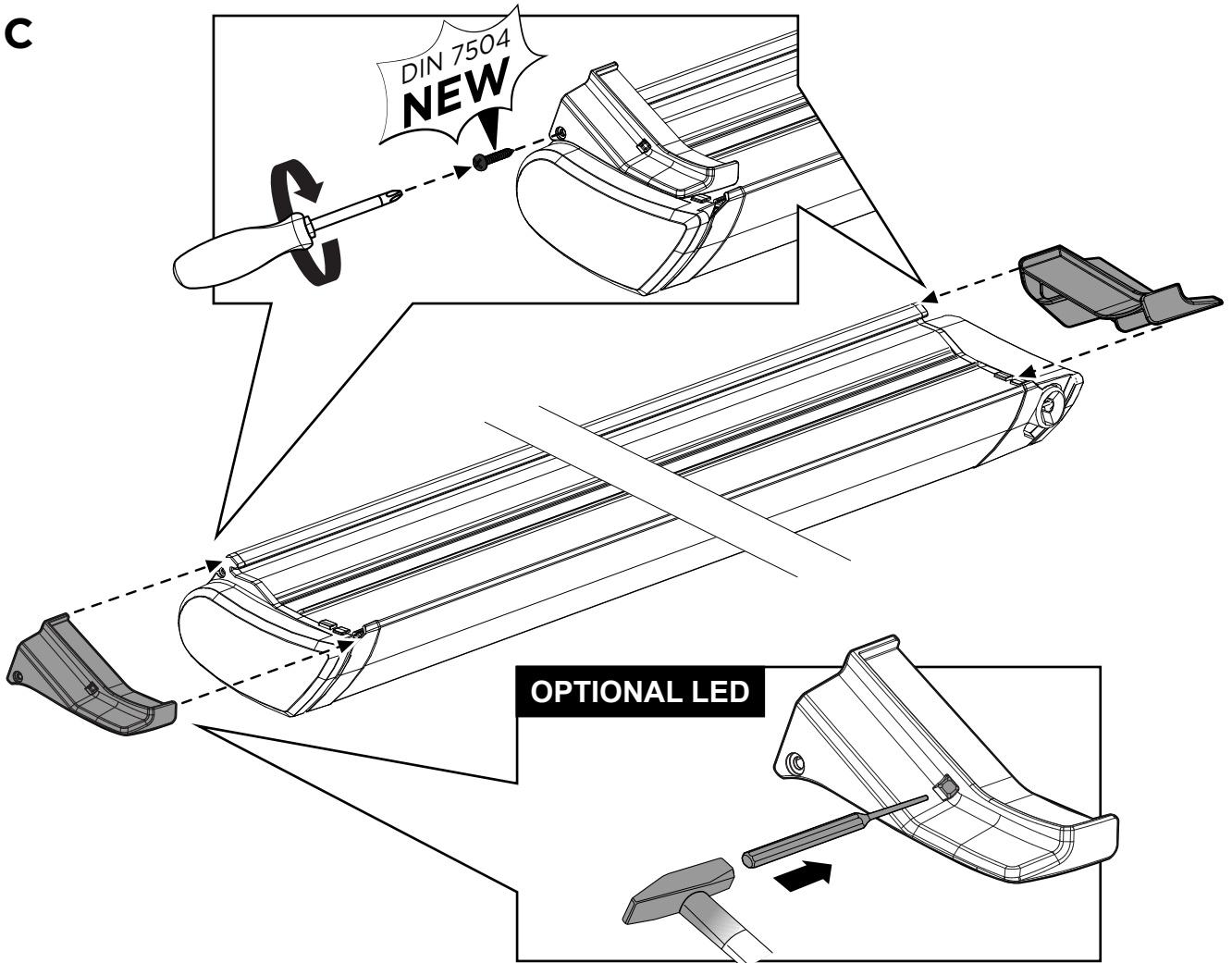
A



B



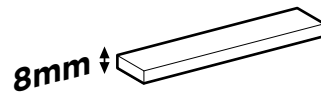
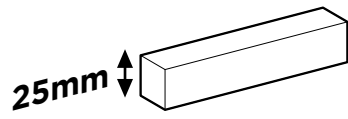
C



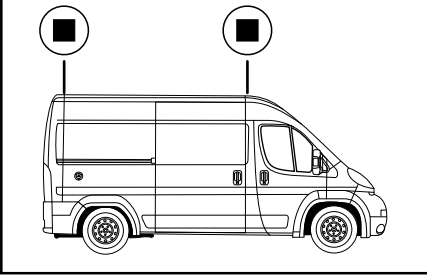
i

■	L2H2	x2
	L3H2 L4H2	x1

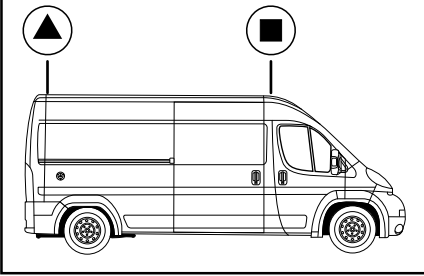
▲	L2H2	/
	L3H2 L4H2	x1



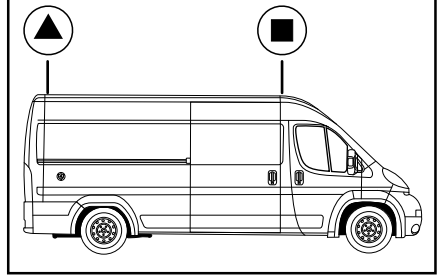
L2H2



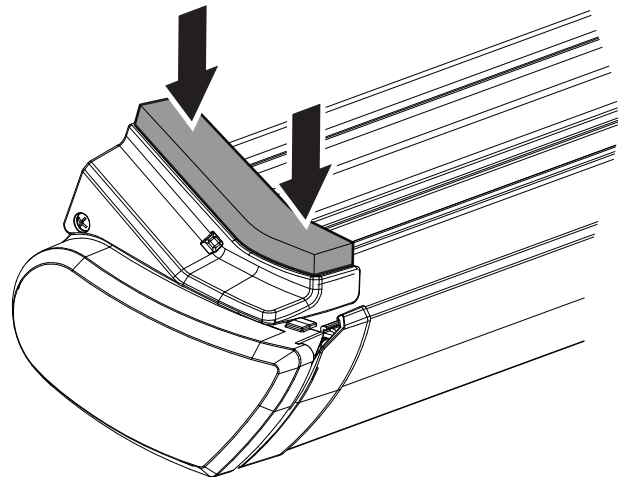
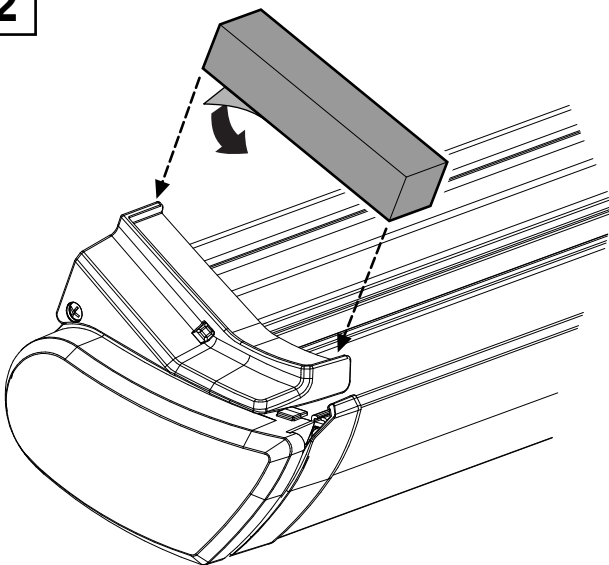
L3H2



L4H2

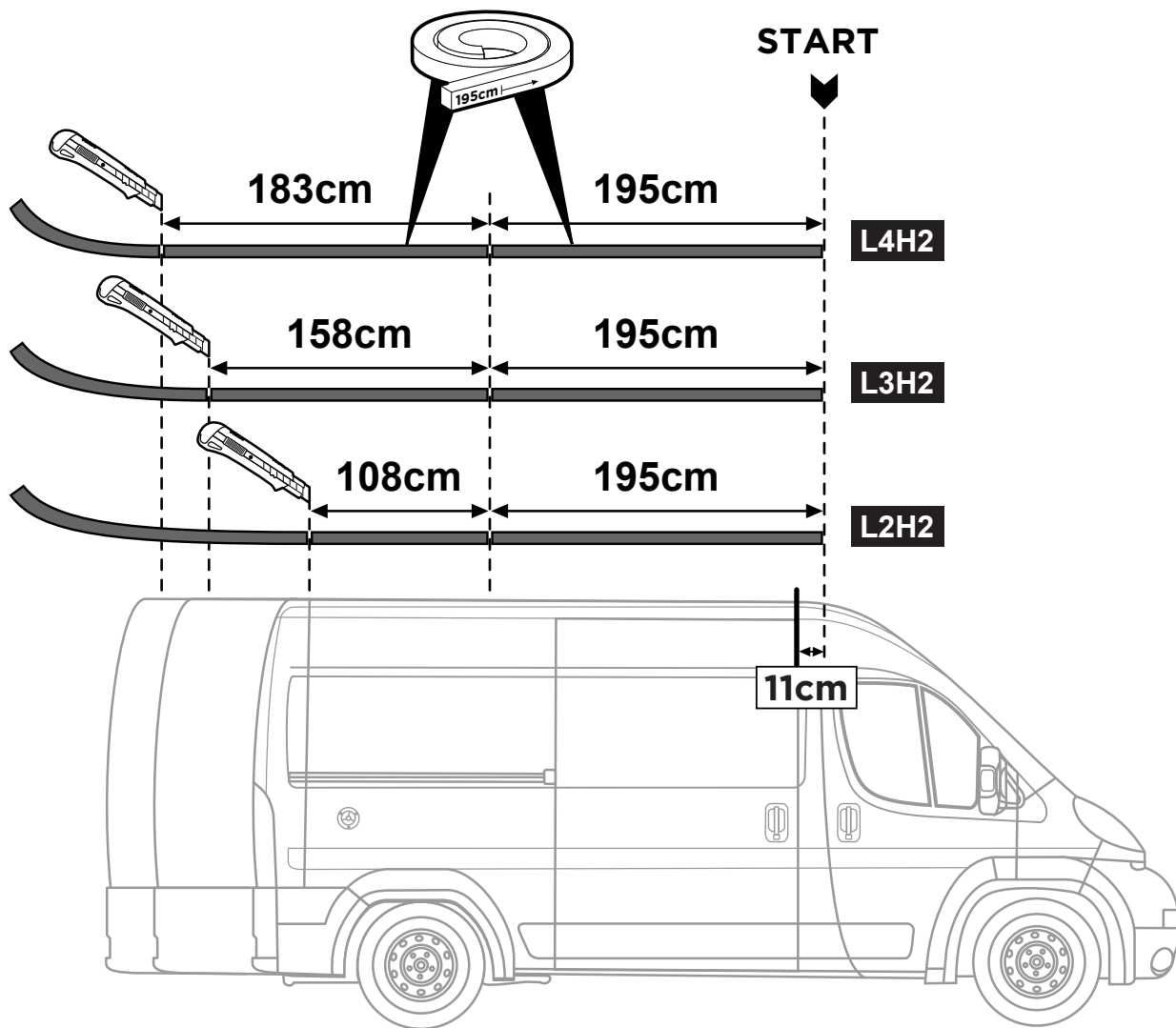


2

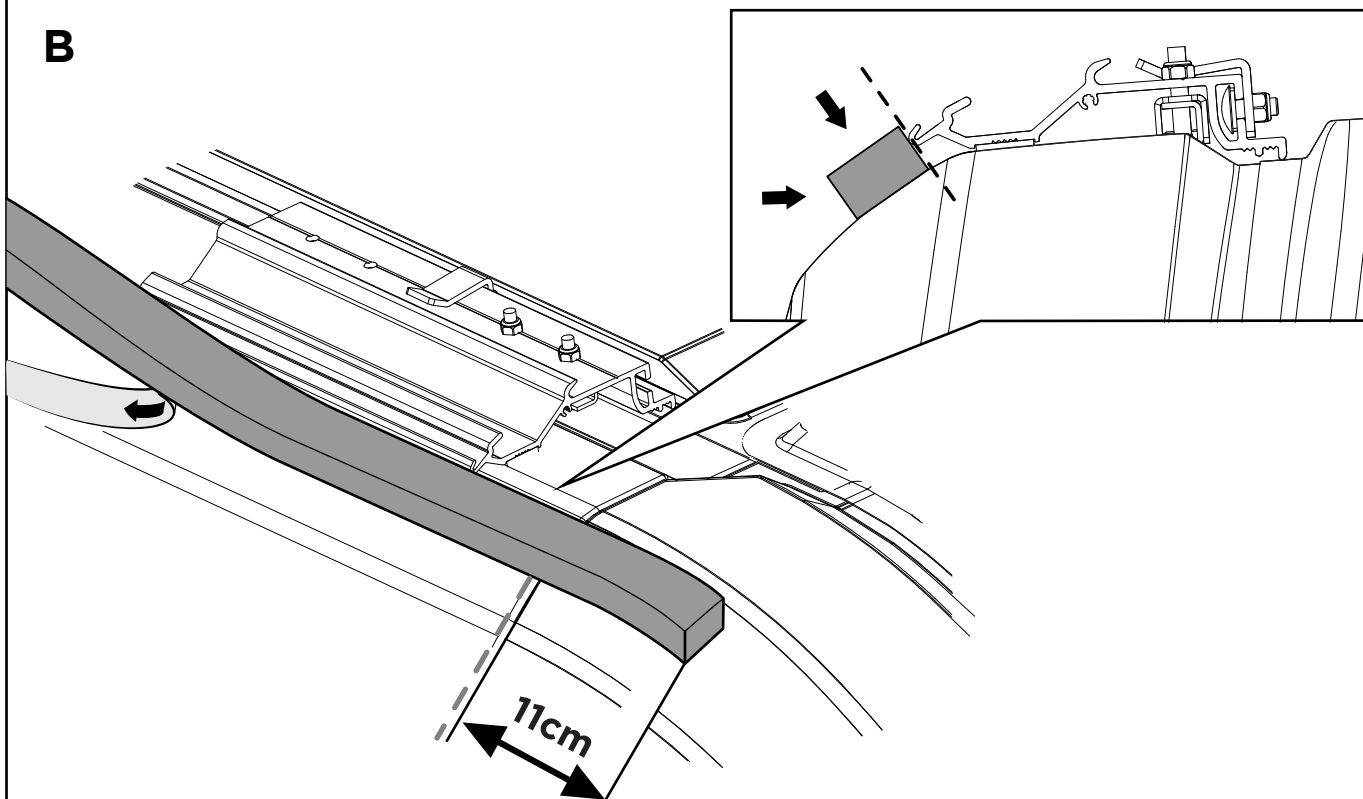


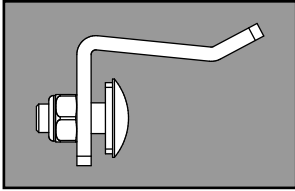
3

A



B

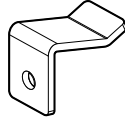




L2H2 x3
L3H2 | L4H2 x4



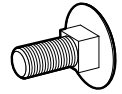
L2H2 x3
L3H2 | L4H2 x4



L2H2 x3
L3H2 | L4H2 x4

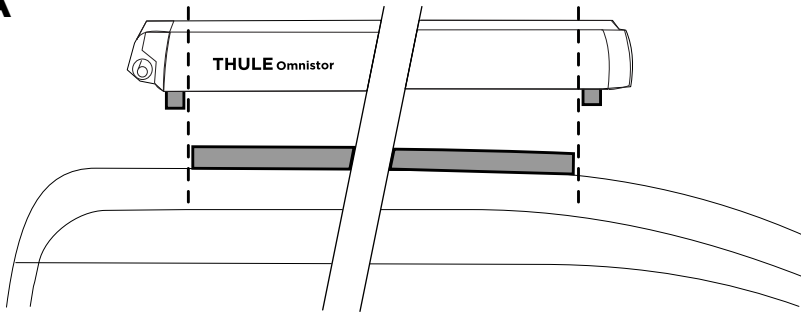


L2H2 x3
L3H2 | L4H2 x4

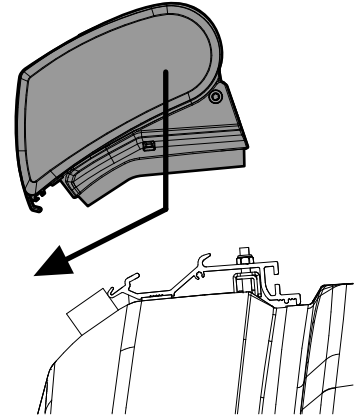


1

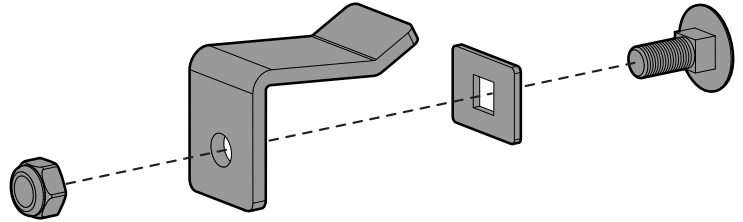
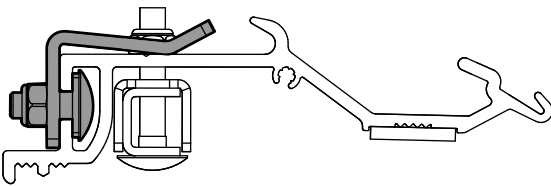
A



B



2



3

